

MATERIAL: Laton acabado cromo brillo - cromo satinado
Brass - Bright & Satin finishes

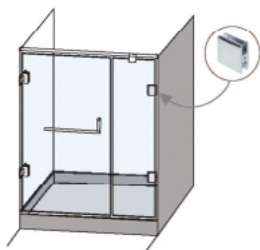
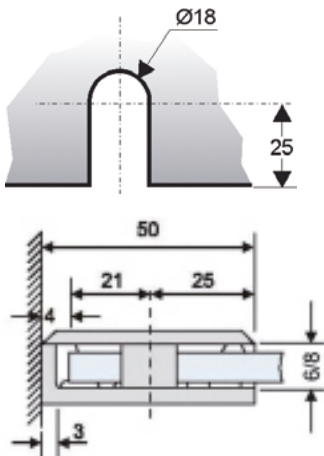


U1000

**Unión una luna biselada vidrio/
pared V6/8**

Connector patch glass/wall.
Glass thickness 6/8

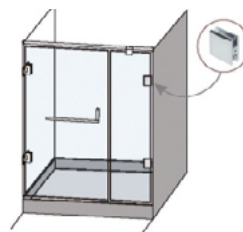
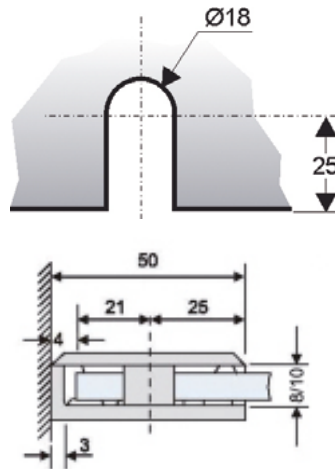
Acabado solo en cromo brillo
Finish only in bright chrome



U1001

**Unión una luna biselada vidrio/
pared V8/10**

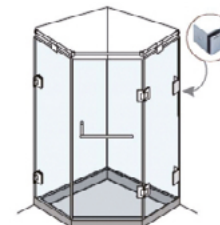
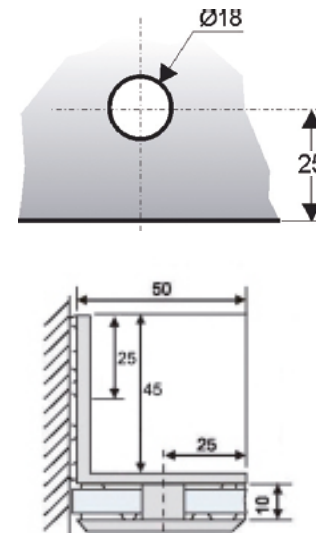
Connector patch glass/wall.
Glass thickness 8/10



U1002

**Unión una luna biselada 90°
vidrio/pared V8/10**

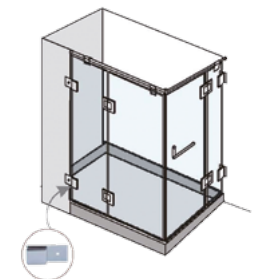
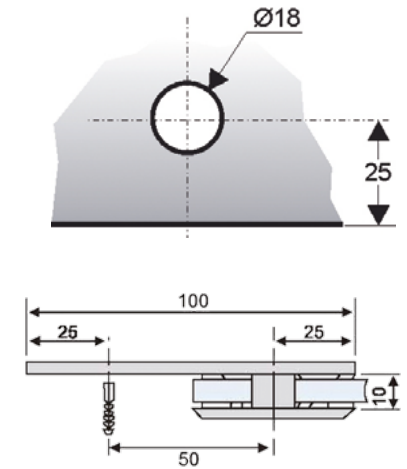
Connector patch 90° glass/wall.
Glass thickness 8/10



U1003

**Unión una luna biselada 180°
vidrio/pared V8/10**

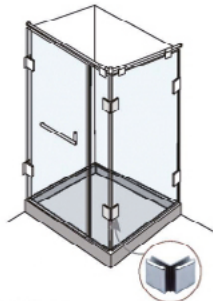
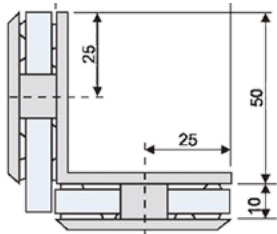
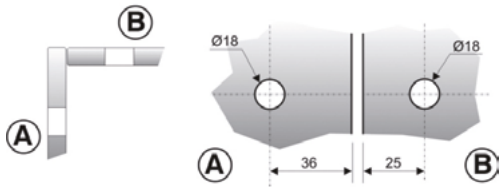
Connector patch 180° glass/
wal for 8/10





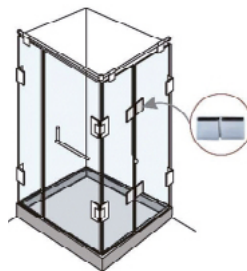
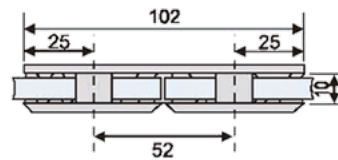
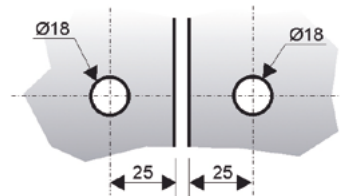
U1004

Unión dos lunas biselada 90° vidrio/vidrio V8/10
 Connector patch 90° glass/glass.
 Glass thickness 8/10



U1006

Unión dos lunas biselada 180° vidrio/vidrio V8/10
 Connector patch 180° glass/glass.
 Glass thickness 8/10



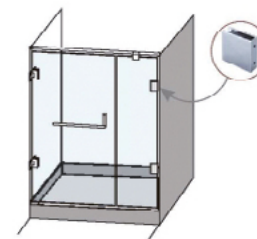
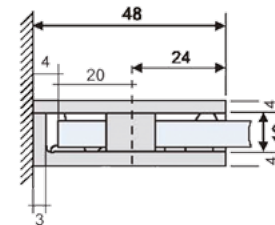
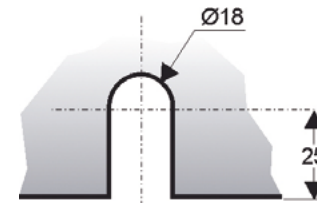
SERIE U2000

MATERIAL: Laton acabado cromo brillo
 Brass - Bright finish



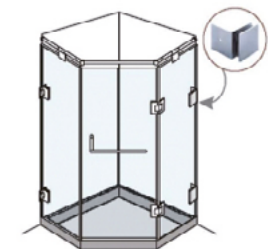
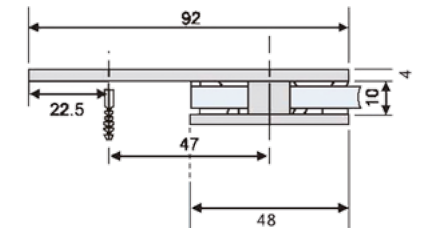
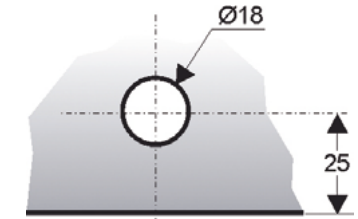
U2001

Unión una luna recta vidrio/pared V8/10
 Connector patch glass/wall.
 Glass thickness 8/10



U2002

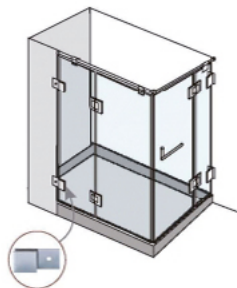
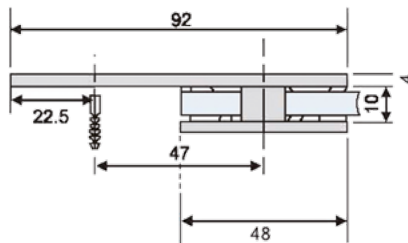
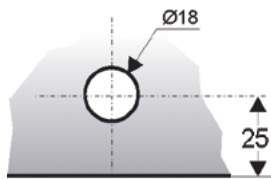
Unión una luna recta 90° vidrio/pared V8/10
 Connector patch 90° glass/wall.
 Glass thickness 8/10





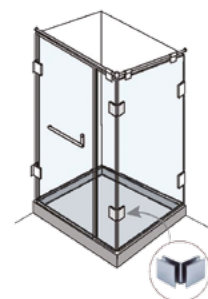
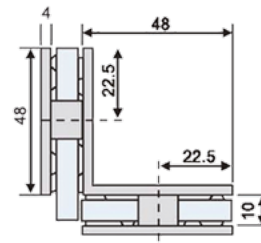
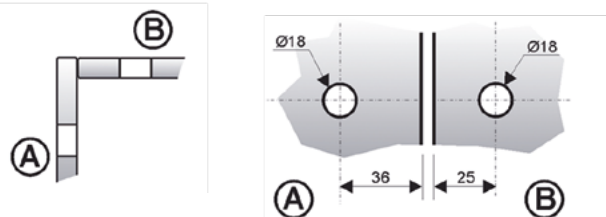
U2003

**Unión una luna recta 180°
vidrio/pared V8/10**
Connector patch 180° glass/wall.
Glass thickness 8/10



U2004

**Unión dos lunas recta 90°
vidrio/vidrio V8/10**
Connector patch 90° glass/glass.
Glass thickness 8/10



U2006

**Unión dos lunas recta 180°
vidrio/vidrio V8/10**
Connector patch 180° glass/glass.
Glass thickness 8/10

